

# INGCO

## Rotary Hammer

**EN** Rotary Hammer



**RH150028 RH150028-6 URH1500281**  
**RH150028S RH150028-8 URH1500281-9**









SCAN FOR VIDEO

 **ingcoglobal**  
 **INGCO GLOBAL**



**The symbols in instruction manual and the label on the tool**

	Double insulated for additional protection.
	Read the instruction manual before using.
	CE conformity.
	Wear safety glasses, hearing protection and dust mask.
	Waste electrical products should not be disposed of with household waste. Please recycle where facilities exist. Check with your Local Authority or retailer for recycling advice.
	Safety alert. Please only use the accessories supported by the manufacture.

**GENERAL POWER TOOL SAFETY WARNINGS**

**WARNING** Read all safety warnings and all instructions. Failure to follow the warnings and instructions may result in electric shock, fire and/or serious injury.

**Save all warnings and instructions for future reference.**

The term "power tool" in the warnings refers to your mains-operated (corded) power tool or battery-operated (cordless) power tool.

**1) Work area safety**

- a) **Keep work area clean and well lit.** Cluttered and dark areas invite accidents.
- b) **Do not operate power tools in explosive atmospheres, such as in the presence of flammable liquids, gases or dust.** Power tools create sparks which may ignite the dust or fumes.
- c) **Keep children and bystanders away while operating a power tool.** Distractions can cause you to lose control.

**2) Electrical safety**

- a) **Power tool plugs must match the outlet. Never modify the plug in any way. Do not use any adapter plugs with earthed (grounded) power tools.** Unmodified plugs and matching outlets will reduce risk of electric shock.
- b) **Avoid body contact with earthed or grounded surfaces such as pipes, radiators, ranges and refrigerators.** There is an increased risk of electric shock if your body is earthed or grounded.
- c) **Do not expose power tools to rain or wet conditions.** Water entering a power tool will increase the risk of electric shock.
- d) **Do not abuse the cord. Never use the cord for carrying, pulling or unplugging the power tool. Keep cord away from heat, oil, sharp edges or moving parts.** Damaged or entangled cords increase the risk of electric shock.
- e) **When operating a power tool outdoors, use an extension cord suitable for outdoor use.** Use of a cord suitable for outdoor use reduces the risk of electric shock.
- f) **If operating a power tools in a damp location is unavoidable, use**

**a residual current device (RCD) protected supply.** *Use of an RCD reduces the risk of electric shock.*

### 3) Personal safety

- a) **Stay alert, watch what you are doing and use common sense when operating a power tool. Do not use a power tool while you are tired or under the influence of drugs, alcohol or medication.** *A moment of inattention while operating power tools may result in serious personal injury.*
- b) **Use personal protective equipment. Always wear eye protection.** Protective equipment such as dust mask, non-skid safety shoes, hard hat, or hearing protection used for appropriate conditions will reduce personal injuries.
- c) **Prevent unintentional starting. Ensure the switch is in the off-position before connecting to power source and/or battery pack, picking up or carrying the tool.** *Carrying power tools with your finger on the switch or energizing power tools that have the switch on invites accidents.*
- d) **Remove any adjusting key or wrench before turning the power tool on.** *A wrench or a key left attached to a rotating part of the power tool may result in personal injury.*
- e) **Do not overreach. Keep proper footing and balance at all times.** *This enables better control of the power tool in unexpected situations.*
- f) **Dress properly. Do not wear loose clothing or jewellery. Keep your hair, clothing and gloves away from moving parts.** *Loose clothes, jewellery or long hair can be caught in moving parts.*
- g) **If devices are provided for the connection of dust extraction and collection facilities, ensure these are connected and properly used.** *Use of dust collection can reduce dust-related hazards.*

### 4) Power tool use and care

- a) **Do not force the power tool. Use the correct power tool for your application.** *The correct power tool will do the job better and safer at the rate for which it was designed.*
- b) **Do not use the power tool if the switch does not turn it on and off.** *Any power tool that cannot be controlled with the switch is dangerous*



*and must be repaired.*

- c) **Disconnect the plug from the power source and/or the battery pack from the power tool before making any adjustments, changing accessories, or storing power tools.** *Such preventive safety measures reduce the risk of starting the power tool accidentally.*
- d) **Store idle power tools out of the reach of children and do not allow persons unfamiliar with the power tool or these instructions to operate the power tool.** *Power tools are dangerous in the hands of untrained users.*
- e) **Maintain power tools. Check for misalignment or binding of moving parts, breakage of parts and any other condition that may affect the power tools operation. If damaged, have the power tool repaired before use.** *Many accidents are caused by poorly maintained power tools.*
- f) **Keep cutting tools sharp and clean.** *Properly maintained cutting tools with sharp cutting edges are less likely to bind and are easier to control.*
- g) **Use the power tool, accessories and tool bits etc. in accordance with these instructions, taking into account the working conditions and the work to be performed.** *Use of the power tool for operations different from those intended could result in a hazardous situation.*

## 5) Service

- a) **Have your power tool serviced by a qualified repair person using only identical.** *This will ensure that the safety of the power tool is maintained.*

### Additional Safety Warnings

#### Hammer safety warnings

- **Wear ear protectors.** *Exposure to noise can cause hearing loss.*
- **Use auxiliary handle(s), if supplied with the tool.** *Loss of control can cause personal injury.*
- **Hold power tool by insulated gripping surfaces, when performing an operation where the cutting accessory may contact hidden wiring or its own cord.** *Cutting accessory contacting a "live" wire may make exposed metal parts of the power tool "live" and could give the operator an electric shock.*

## Residual risks

Even when the power tool is used as prescribed it is not possible to eliminate all residual risk factors. The following hazards may arise in connection with the power tool's construction and design:

- Health defects resulting from vibration emission if the power tool is being used over longer period of time or not adequately managed and properly maintained.
- Injuries and damage to property due to broken accessories that are suddenly dashed.



**Warning!** This power tool produces an electromagnetic field during operation. This field may under some circumstances interfere with active or passive medical implants. To reduce the risk of serious or fatal injury, we recommend persons with medical implants to consult their physician and the medical implant manufacturer before operating this power tool.

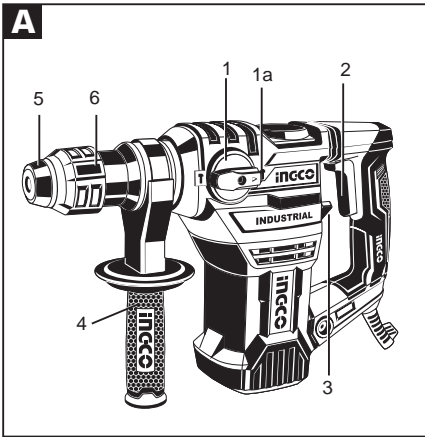
## SPECIFICATIONS

Model No.:	RH150028	URH1500281	RH150028S (SAA PLUG)	RH150028-8 (BS PLUG)	RH150028-6 (ISRAEL PLUG)	URH1500281-9 (INMENTRO Plug)
Voltage:	220-240V~	110-120V~	220-240V~	220-240V~	220-240V~	127V~
Frequency:	50/60Hz	50/60Hz	50/60Hz	50/60Hz	50/60Hz	60H
Power input:	1500W	1500W	1500W	1500W	1500W	1500W
No-load speed:	850/min	850/min	850/min	850/min	850/min	850/min
Impact rate:	4400/min	4400/min	4400/min	4400/min	4400/min	4400/min
Drilling capacity:	Concrete:	32mm	1-1/4"	32mm	32mm	32mm
	Steel:	13mm	1/2"	13mm	13mm	13mm
	Wood:	40mm	1-1/2"	40mm	40mm	40mm

Degree of protection



II



### Depicted components

- ① Function selector
- ①a Function selector release switch
- ② On/off switch
- ③ Hammer switch
- ④ Additional handle
- ⑤ Tool holder
- ⑥ Locking sleeve

## ROTARY HAMMER

### Introduction



The operating instructions are part of this product. They contain important information about safety, use and disposal. Before using the product, familiarise yourself with all operating and safety instructions. Use this product only as described and only for the specified areas of application. Please also pass these operating instructions on to any future owner(s).

### Proper use

The rotary hammer (hereinafter appliance) is suitable for:

- Hammer-drilling into brickwork, concrete and stone
- Chiselling into concrete, stone and plaster
- Drilling into stone, wood and metal

Any other usage of or modification to the appliance is deemed to be improper usage and carries the risk of serious personal injury.

### Package contents

- 1 pcs rotary hammer
- 1 pcs INGCO handle
- 3 pcs drill bits (see fig.B)
- 1 pcs flat chisel (see fig.B)
- 1 pcs pointed chisel (see fig.B)
- 1 pcs carrying case
- 1 pcs grease tube
- 1 set carbon brushes
- 1 pcs dust cap
- 1 pcs operating manual



Guaranteed sound power level  
LWA in dB.

## Appliance-specific safety instructions for hammer drills

-  Wear ear protectors. Exposure to noise can cause hearing loss.
- Use auxiliary handle(s), if supplied with the tool. Loss of control can cause personal injury.
- Hold power tool by insulated gripping surfaces, when performing an operation where the cutting accessory may contact hidden wiring or its own cord. Cutting accessory contacting a “live” wire may make exposed metal parts of the power tool “live” and could give the operator an electric shock.
-  Wear a dust mask.

### WARNING! TOXIC DUST!

- ▶ Working with harmful/toxic dusts results in health hazards for the person operating the appliance and for other persons in the area.

- **ATTENTION – SERVICE LINES! DANGER!**  
Take steps to ensure that you do not hit any service lines (electricity, gas, water) when working with the electric tool. If necessary, check with a service line detector before you start to cut or drill into a surface.

## Original accessories/additional equipment

- Only use the accessories and additional equipment that are specified in the operating instructions and are compatible with the appliance.

## Initial operation

### Additional handle

#### NOTE

- ▶ For safety reasons, you should only use this appliance with the additional handle **4** attached.
- ◆ Remove the additional handle **4** by turning it clockwise direction.
- ◆ Turn the additional handle **4** to the desired position.

- ◆ Fix the additional handle **4** in the new position by turning it anti- clockwise.

### Tool:

- ◆ Pull the locking sleeve **6** backwards and insert the tool in the tool holder **5**.
- ◆ Release the locking sleeve **6**. This locks the holder. Check that the tool is properly locked by pulling it. The system has radial play because of the design.

### Removing tool

- ◆ Pull the locking sleeve **6** on the tool backwards.


## Operation

### Select operational mode

#### Hammer switch:

- ◆ Turn the hammer switch **3** to the required symbol:

 Hammer drilling = Hammer ON

 Drilling = Hammer OFF

#### Function selector:

- ◆ Turn and hold the release button for the function selector switch **13** and rotate the function selector switch **1** so that the required symbol engages at the arrow mark.

 Hammer drilling

 Chiselling

#### NOTE

The following combinations are available:

- ▶ **3** Hammer OFF + **1** hammer drilling = drilling
- ▶ **3** Hammer ON + **1** hammer drilling = hammer drilling
- ▶ **3** Hammer ON + **1** chiselling = chiselling
- ▶ **3** Hammer OFF + **1** chiselling = no function

## Switching on and off

### Switching the appliance on:

- ◆ Press the ON/OFF switch ②.

### Switching the appliance off:

- ◆ Release the ON/OFF switch ②.

## Maintenance and Cleaning



**WARNING! RISK OF INJURY!** Switch the appliance off and remove the power plug before starting any work.

- The appliance must always be kept clean, dry and free from oil or grease.
- To clean the casing, use a soft dry cloth.
- Clean the tool holder ⑤ regularly:
  - ◆ To do this, pull the locking sleeve ⑥ backwards and pull the dust protector cap off the tool holder ⑤.
  - ◆ Before inserting the tool, lightly grease the tool holder ⑤.

### **WARNING!**

- If the supply cord of this power tool is damaged, it must be replaced by a specially prepared cord available through the service organization.

## Disposal



The packaging is made from environmentally-friendly material and can be disposed of at your local recycling plant.



**Do not dispose of power tools in your normal domestic waste!**

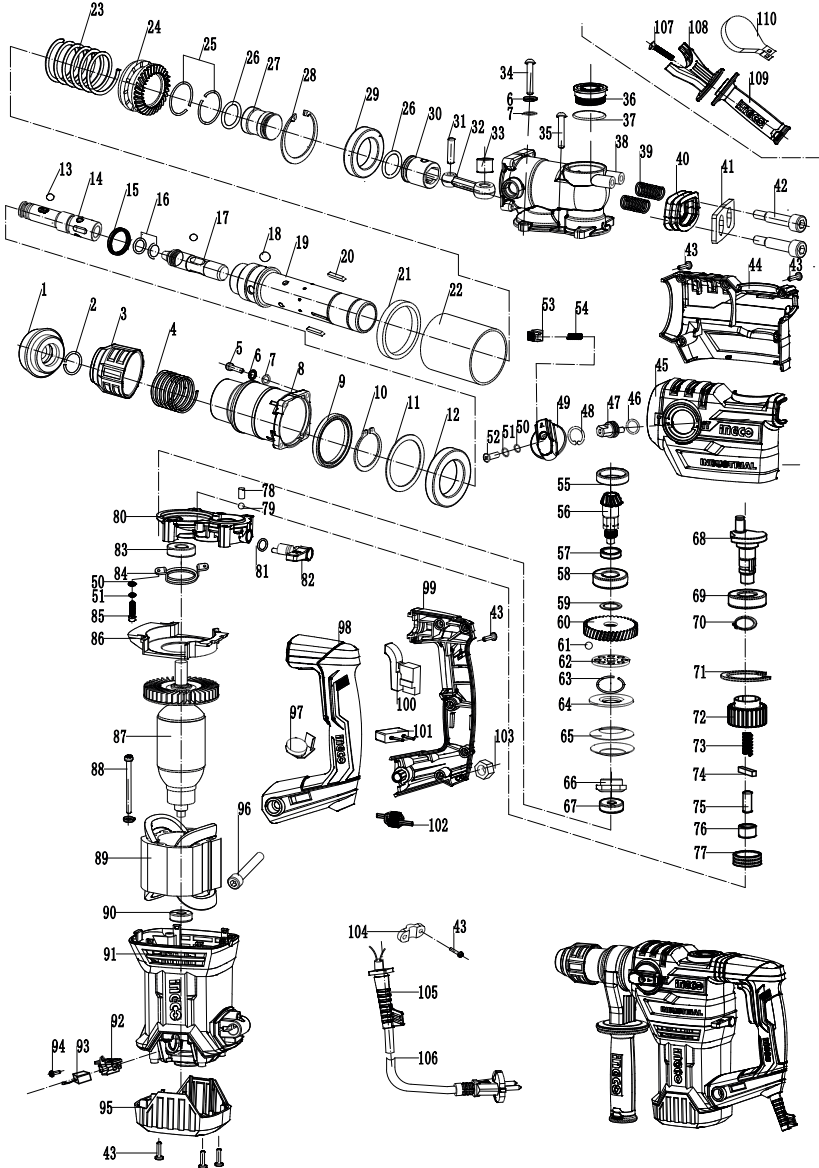
European Directive 2012/19/EU requires that worn-out power tools are collected separately and fed into an environmentally compatible recycling process.

Your local community or municipal authorities can provide information on how to dispose of the worn-out appliance.

# INGCO

## EXPLODED VIEW

RH150028,URH1500281,RH150028S,RH150028-8,RH150028-6,URH1500281-9



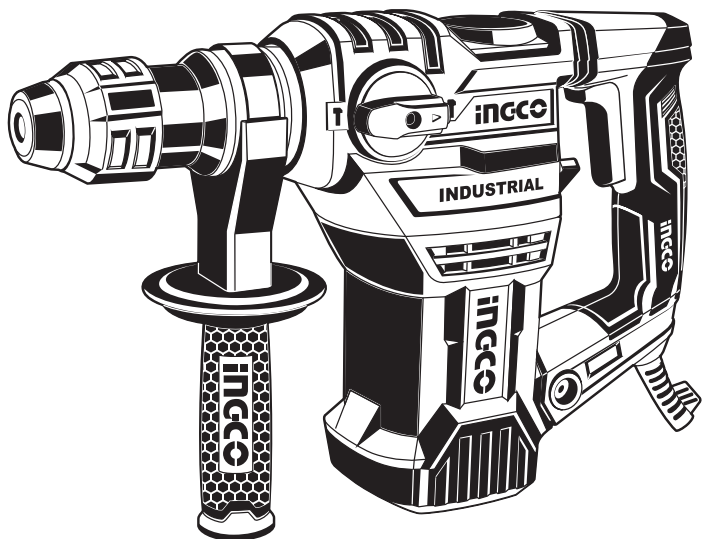


# SPARE PART LIST

## RH150028,URH1500281,RH150028S,RH150028-8,RH150028-6,URH1500281-9

No.	Exploding view	Qty	No.	Exploding view	Qty	No.	Exploding view	Qty
1	Rubber Head	1	38	Gear Box	1	75	Melt Φ7*19	1
2	Steel Ring 17.5*2	1	39	Spring	2	76	Bearing 16*12*10	1
3	Steel frame	1	40	Anti-vibration rubber blanket	1	77	Steel Sleeve	1
4	Spring 30.2*1.8*76	1	41	Anti-vibration Board	1	78	Rubber column	1
5	ScrewM5*22	4	42	Screw M8X35	2	79	BallΦ4	1
6	Washer5	8	43	Screw ST3.9*16	16	80	Middle Cover	1
7	Washer5	8	44	Gear box right cover	1	81	O-ring W12*1.8	1
8	Cylinder house	1	45	Gear box right cover	1	82	Dial Twist	1
9	Oil Seal 35*51*6	1	46	O-ring	1	83	Bearing	1
10	Washer 35	1	47	Knob axle	1	84	Bearing pressing plate	1
11	Washer 45*54.5*1	1	48	Washer	1	85	Screw M4*14	2
12	Bearing 61907	1	49	Knob assembly	1	86	Fan Guide	1
13	Ball Φ7.14	5	50	Flat gasket	1	87	Rotor	1
14	teleflex	1	51	Spring washer	3	88	Screw ST4.8*60	2
15	X-ring	1	52	Screw M4*14	1	89	Stator	1
16	O-ring 11*2	3	53	Lock	1	90	Bearing 608	1
17	Impact hammer	1	54	Spring 0.6*4.5*17.5	1	91	Motor housing	1
18	Ball Φ7.94	3	55	Oil Seal 19*28*4.5	1	92	Carbon brush holder	2
19	Cylinder	1	56	Bevel gear	1	93	Carbon brush	2
20	Flat key 3*2.5*18	2	57	Washer	1	94	Screw ST3.9*12	2
21	Ring 45*55*7	1	58	Bearing	1	95	Back cover	1
22	Cylinder Case 50*55*47	1	59	Washer	1	96	Screw M8*50	1
23	Spring 33.5*3.5*76	1	60	Gear	1	97	Speed ccontroller (Option)	1
24	Gamp gear	1	61	Ball	8	98	Left handle	1
25	Washer 28*1.6	2	62	Dead plate	1	99	Right handle	1
26	O-ring 19*3.1	2	63	Washer	1	100	Switch	1
27	Rammer	1	64	Active plate	1	101	Capacitor (Option)	1
28	Washer	1	65	Spring	2	102	Inductance (Option)	1
29	Bearing 30*47*9	1	66	Screw	1	103	Screw M8	1
30	Piston	1	67	Bearing 627	1	104	Cable board	1
31	Piston Pin	1	68	Eccentric shaft	1	105	Cable sheath	1
32	Connecting Rod	1	69	Bearing 6003	1	106	Cable	1
33	Gamp	1	70	Washer 17	1	107	Screw	1
34	Screw ST4.8*50	4	71	Washer 35	1	108	Bracket	1
35	ScrewM5*20	2	72	Gear	1	109	Auxiliary handle	1
36	Oil Cover	1	73	Spring W6.8*1.2*33	1	110	Hoop	1
37	O-ring 31.5*2	1	74	Square key 5*5*22	1			

# INGCO



INGCO TOOLS CO., LIMITED

[www.ingco.com](http://www.ingco.com)

MADE IN CHINA

0919.V04

**RH150028 URH1500281 RH150028-6**  
**RH150028-8 RH150028S URH1500281-9**